

HUD Mining Supplies (Pty) LTD

Physical: 58 Director Road, Spartan
Postal: Postnet Suite 99, Private Bag X10010, Edenvale 1610
Telephone: +27 11 974 1500 Fax: +27 11 974 1506
Email: info@hud.co.za



Kempe 500m Pneumatic Wireline Winch Parts Manual



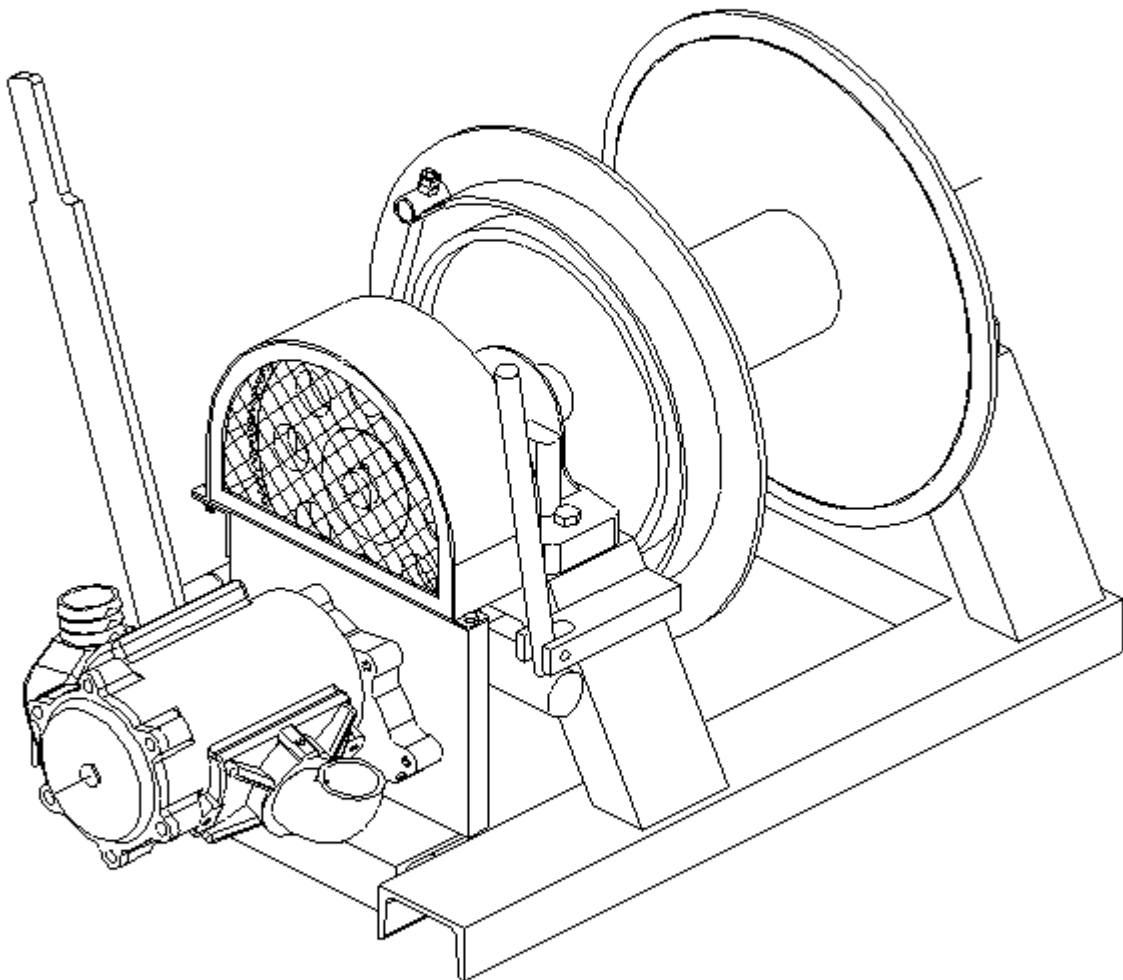
Title	Date	By	Sign	Approved	Sign
Kempe WLP-000 500m Pneum. Wireline Winch Parts Manual	16.7.10	I Omand		D Huddy	
Revision	Date	By	Sign	Approved	Sign
HUD Design Original					

WLP-000 500m Pneum. Wireline Winch Specifications

Drum Capacity	500m, \varnothing 6mm wire rope cable
Rope Spec	To suit customer requirements. Test certificate of actual rope to be enclosed with shipping docs.
Air Motor	Kempe "High Torque" (HTM-00) 152 mm vane type 500 - 4000 rpm 15 – 18 kW 300 cfm air consumption (running at full capacity)
Operating pressure	400 - 800 kPa
Feed gears	One input gear and one winch drive gear and selector lever. Winch is stationary when selecting / deselecting the gear
Braking	Manual friction pad brake direct on winch drum
Mounting	Mounted complete on integral frame



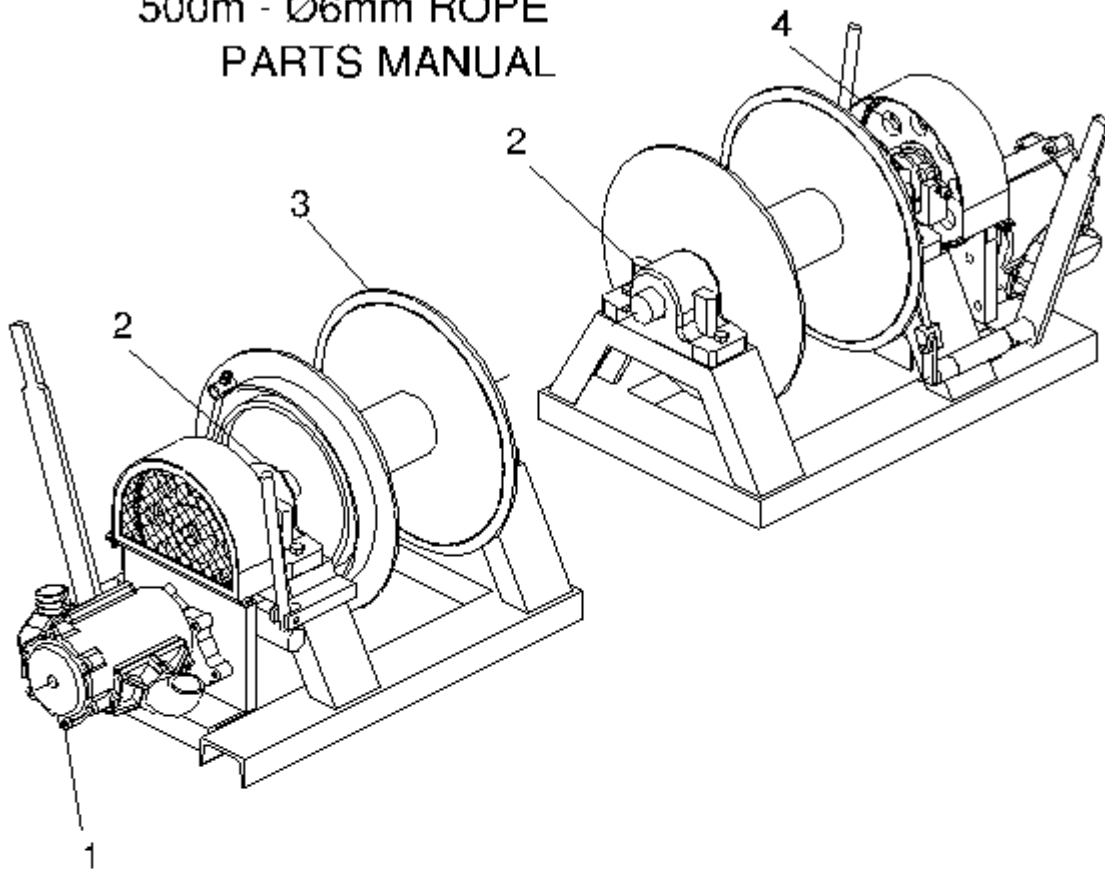
500m - Ø6mm ROPE PNEUMATIC WIRE LINE WINCH PARTS MANUAL



PNEUMATIC WIRE LINE WINCH ASSEMBLY

500m - Ø6mm ROPE

PARTS MANUAL



IT	DESCRIPTION	QTY	PART No
0	PNEUMATIC WINCH COMPLETE		WLP-000
1	HIGH TORQUE MOTOR	1	HTM-00
2	PLUMMER BLOCK	2	WH100B
3	ROPE DRUM - 500m - Ø6mm	1	WLP-002
4	GEAR	1	WLP-001

Photographs:

