

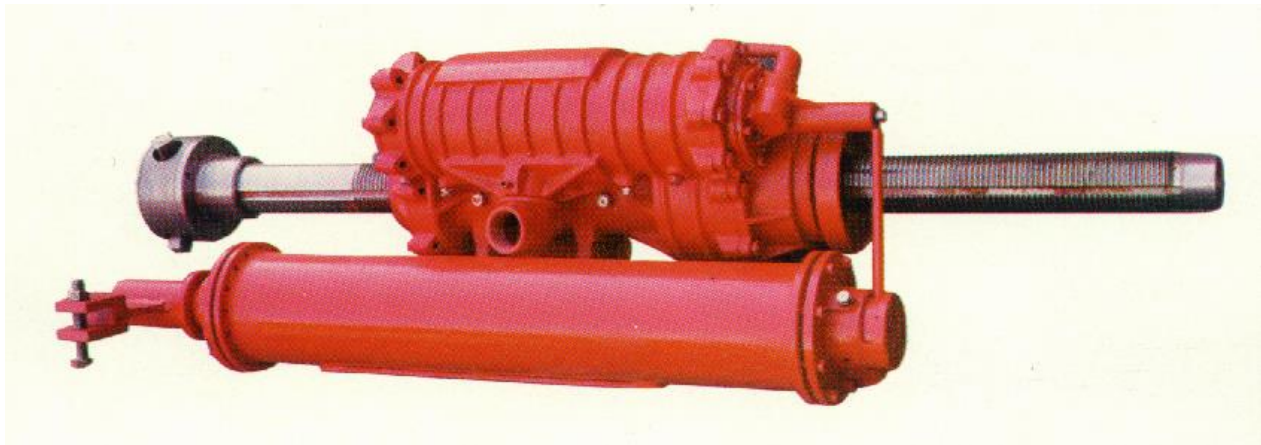
HUD Mining Supplies (Pty) LTD

Physical: 25 – 31 Brewery Street, Isando.1609, RSA
Postal: Postnet Suite 99, Private Bag X10010, Edenvale 1610
Telephone: +27 11 974 1500 Fax: +27 11 974 1506
Email: info@hud.co.za



Product Brochure

Kempe U3-9BQ-00 Pneumatic Diamond Drill

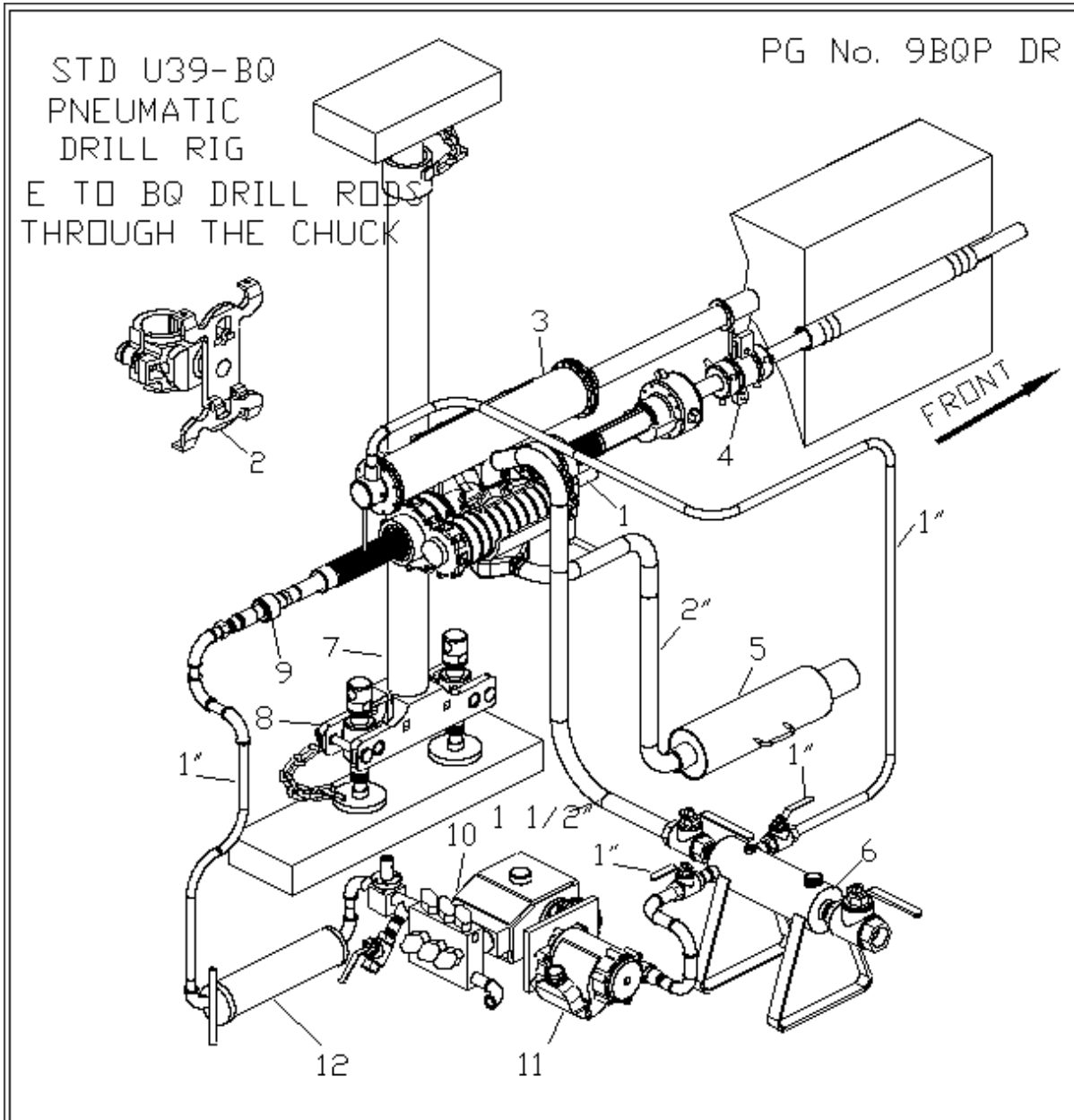


Title	Date	By	Sign	Approved	Sign
Kempe U3-9BQ-00 Pneumatic Diamond Drill Brochure	22.6.09	I Omand		D Huddy	
Revision	Date	By	Sign	Approved	Sign
HUD Design Original					

U3-9BQ Pneumatic Diamond Drill Specifications

Rating	500 m ex (horizontal) AXT 250m ex (horizontal) BX																					
Spindle speed	0 - 1500 rpm																					
Weight drill	135 kg																					
Motor	228 mm vane type 21 kw @ 4000 rpm 450 cfm - designed for low pressure																					
Operating pressure	300 - 800 kPa																					
Feed screw	ID suitable for E, A, AQ, B or BQ rods																					
Feedscrew run	850 mm																					
Chuck	3 jaw for E, A, AQ, B or BQ rods																					
Drill	Totally enclosed unit containing all moving parts including the motor. The brackets on the main housing are designed for either left hand (R/H) or right hand (L/H) mounting.																					
Feed gears	The machine is equipped with 4 feed gears, with available selection as follows: Revolutions per inch advance <table> <thead> <tr> <th></th> <th></th> <th>Standard Config</th> </tr> </thead> <tbody> <tr> <td>ratio 22/56</td> <td>ratio 23/60</td> <td>ratio 25/65</td> </tr> <tr> <td>180</td> <td>139</td> <td>158</td> </tr> <tr> <td>330</td> <td>210</td> <td>256</td> </tr> <tr> <td>530</td> <td>276</td> <td>360</td> </tr> <tr> <td>736</td> <td>325</td> <td>446</td> </tr> <tr> <td>1360</td> <td>410</td> <td>620</td> </tr> </tbody> </table> <p>In all cases the same feed gears are used. One set of input gears is changed to give different feed ranges.</p>			Standard Config	ratio 22/56	ratio 23/60	ratio 25/65	180	139	158	330	210	256	530	276	360	736	325	446	1360	410	620
		Standard Config																				
ratio 22/56	ratio 23/60	ratio 25/65																				
180	139	158																				
330	210	256																				
530	276	360																				
736	325	446																				
1360	410	620																				
Feed gear change	Interlock system. Neutral / reverse position located between each gear. Holding the handwheel while in neutral will reverse the feed screw.																					
Saddle plate	Double-ended saddle plate to take two rod pullers if necessary.																					
Mounting	Clamps fit 114mm (4 ½") OD. single bar.																					
Angle of drilling	Designed to drill through 360°.																					
Rod puller	150 dia with 609 stroke. With front and rear cushioning 127 dia with 600 stroke. All distribution pipes built in.																					
Puller mechanism	Non-slip double-ended ball type with turrets on either side to facilitate pushing or pulling. Available for E, A, AQ, B or BQ rods																					





IT	DESCRIPTION	QTY	PAGE No.	REF
1	DRILL UNIT ASSEMBLY	1	U3-9BQ-00	
2	JIGGER CLAMP & SADDLE PLATE ASSEMBLY	1	U3 JCSP	
3	PNEUMATIC ROD PULLER ASSEMBLY	1	U3-6-87B	
4	ROD PULLER MECHANICAL BALL	1	U3-6-71	
5	EXHAUST SILENCER	1	U3-6-153	
6	AIR LINE LUBRICATOR ASSEMBLY	1	U3-6-400	
7	TELESCOPIC POLE ASSEMBLY	1	U3-6-TP	
8	DOUBLE JACK ASSEMBLY	1	U3-6-130	
9	WATER SWIVEL ASSEMBLY	1	KWSC-00	
10	WATER PUMP ASSEMBLY	1	KP80	
11	HIGH TORQUE MOTOR	1	HTM-00	
12	SOFT SOAP LUBRICATOR	1	U3-6-401	

