

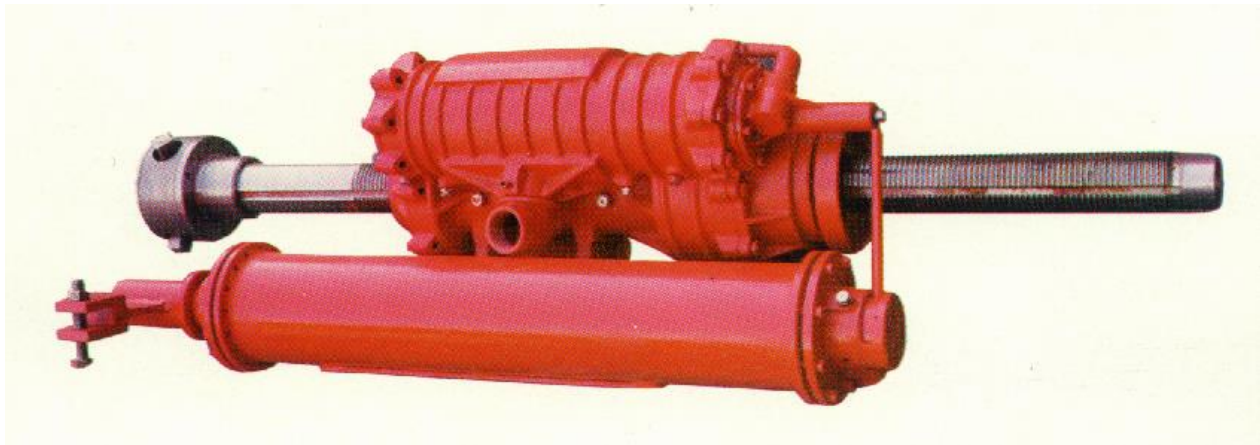
HUD Mining Supplies (Pty) LTD

Physical: 25 – 31 Brewery Street, Isando.1609, RSA
Postal: Postnet Suite 99, Private Bag X10010, Edenvale 1610
Telephone: +27 11 974 1500 Fax: +27 11 974 1506
Email: info@hud.co.za



Product Brochure

Kempe U3-9B-00 Pneumatic Diamond Drill

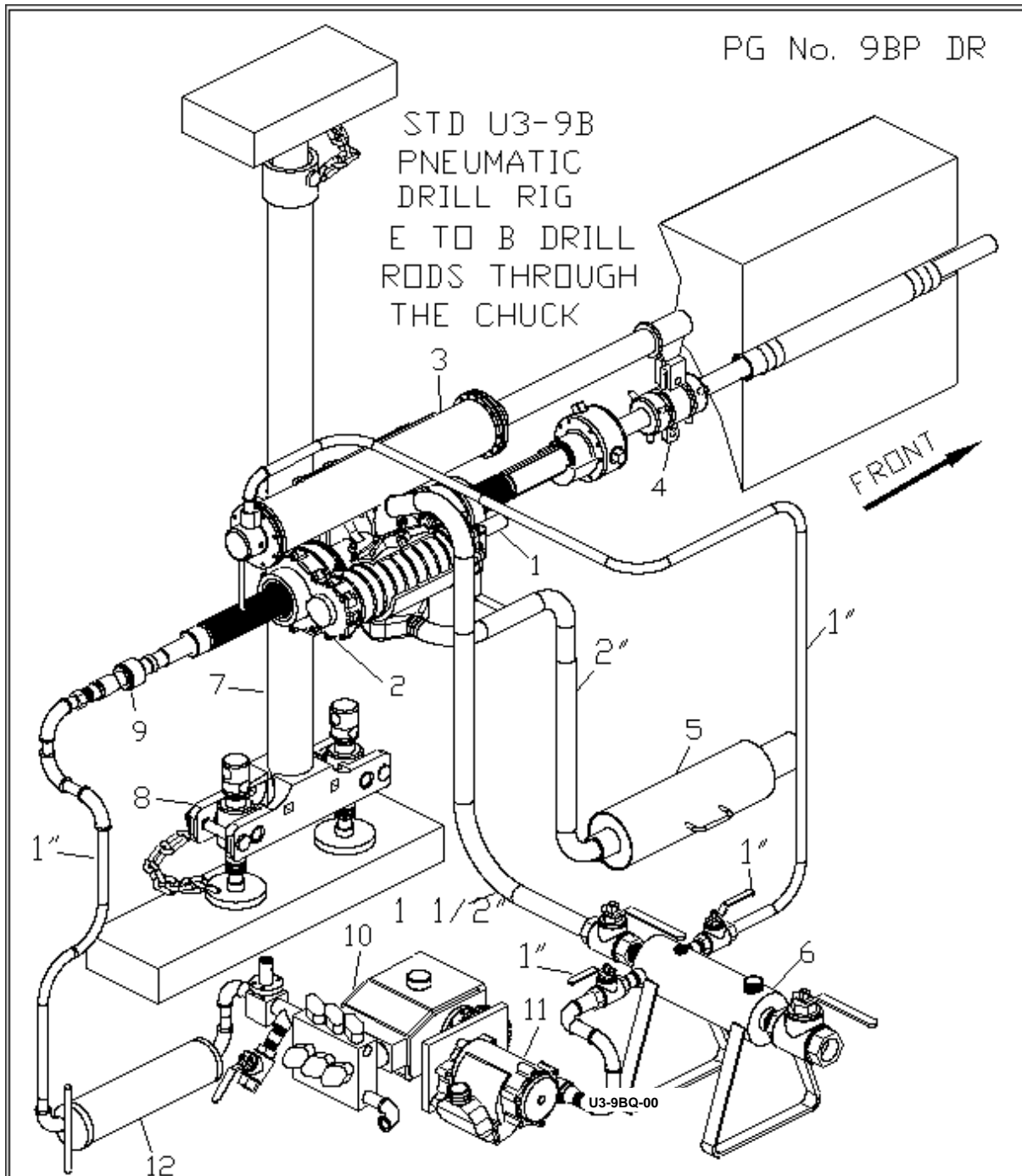


Title	Date	By	Sign	Approved	Sign
Kempe U3-9B-00 Pneumatic Diamond Drill Brochure	9.7.09	I Omand		D Huddy	
Revision	Date	By	Sign	Approved	Sign
HUD Design Original					

U3-9B Pneumatic Diamond Drill Specifications

Rating	350 m ex (horizontal) AXT		
Spindle speed	0 - 1500 rpm		
Weight drill	135 kg		
Motor	228 mm vane type 21 kw @ 4000 rpm 450 cfm - designed for low pressure		
Operating pressure	300 - 800 kPa		
Feed screw	ID suitable for E, A, AQ, or B rods		
Feedscrew run	685 mm		
Chuck	3 jaw for E, A, AQ, or B rods		
Drill	Totally enclosed unit containing all moving parts including the motor. The brackets on the main housing are designed for either left hand (R/H) or right hand (L/H) mounting.		
Feed gears	The machine is equipped with 4 feed gears, with available selection as follows:		
	Revolutions per inch advance		
	ratio 22/56	ratio 23/60	Standard Config ratio 25/65
	180	139	158
	330	210	256
	530	276	360
	736	325	446
	1360	410	620
	In all cases the same feed gears are used. One set of input gears is changed to give different feed ranges.		
Feed gear change	Interlock system. Neutral / reverse position located between each gear. Holding the handwheel while in neutral will reverse the feed screw R/H.		
Saddle plate	Double-ended saddle plate to take two rod pullers if necessary.		
Mounting	Clamps fit 114mm (4 ½") OD. single bar.		
Angle of drilling	Designed to drill through 360°.		
Rod puller	150 dia with 609 stroke. With front and rear cushioning 127 dia with 600 stroke. All distribution pipes built in.		
Puller mechanism	Non-slip double-ended ball type with turrets on either side to facilitate pushing or pulling. Available for E, A, AQ, or B rods		





IT	DESCRIPTION	QTY	PAGE No.
1	DRILL UNIT ASSEMBLY	1	9BP DU
2	JOGGER CLAMP & SADDLE PLATE ASSEMBLY	1	U3 JCSP
3	PNEUMATIC ROD PULLER ASSEMBLY	1	U3-B-87B
4	ROD PULLER MECHANICAL BALL	1	U3-B-71
5	EXHAUST SILENCER	1	U3-B-153
6	AIR LINE LUBRICATOR ASSEMBLY	1	U3-B-400
7	TELESCOPIC POLE ASSEMBLY	1	U3-B-TP
8	DOUBLE JACK ASSEMBLY	1	U3-B-130
9	WATER SWIVEL ASSEMBLY	1	KWSC-00
10	WATER PUMP ASSEMBLY	1	KP80
11	HIGH TORQUE MOTOR	1	H7M-00
12	SOFT SOAP LUBRICATOR	1	U3-B-401

