

Item	Description	Qty
T2 101 C/BARREL HEAD		
1	T2 101 BACK END	1
2	T2 101 SPINDLE	1
3	T2 101 SLEEVE CIRCLIP	1
4	T2 101 RETAINER WASHER	1
5	T2 101 HEAD BEARINGS	5
6	T2 101 SWIVEL SLEEVE	1
7	T2 101 DUST WASHER	1
8	T2 101 SPACER 1.5mm	1
9	T2 101 SPACER 2.5mm	1
10	T2 101 WASHER 24mm	1
11	NYLOCK NUT 24mm	1



HUD Mining Supplies (Pty) Ltd. 

DATE	REVISION	TITLE
20/01/23	A	T2 101 CORE BARREL HEAD

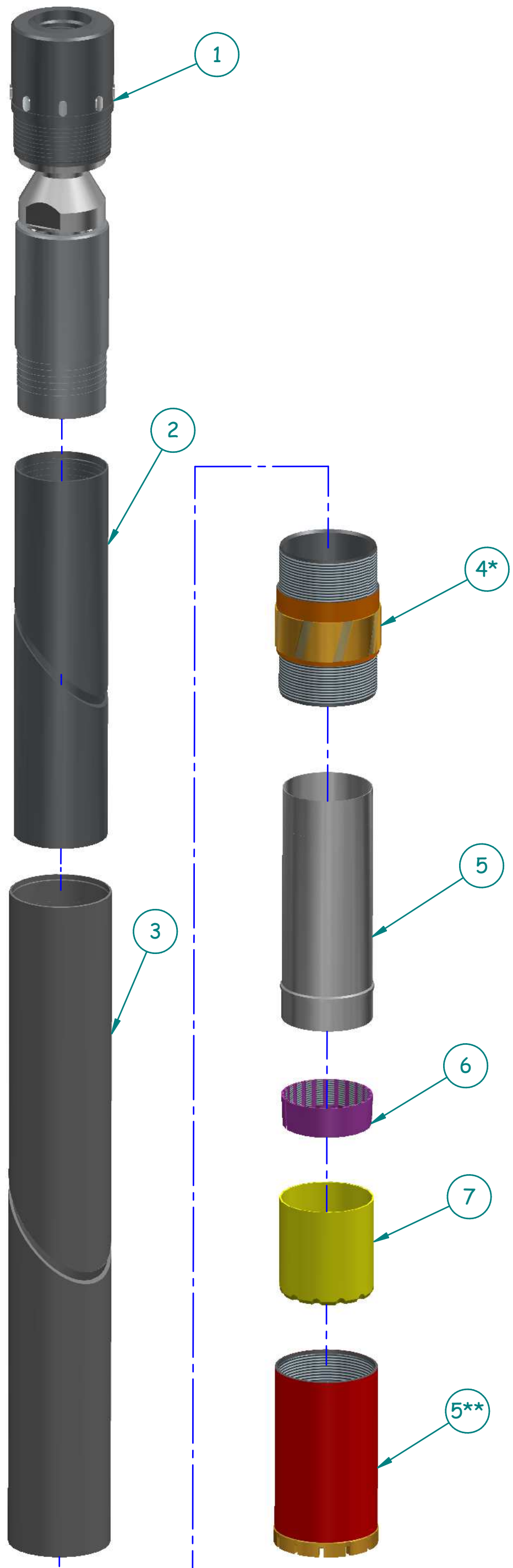
This drawing and the information contained thereon is the property of HUD Mining Supplies (Pty) Ltd and may not be disclosed or copied in whole or part thereof by any third party unless prior written permission is granted.


Item	Description	Qty
T2 101 CORE BARREL		
1	T2 101 HEAD	1
2	T2 101 INNER TUBE	1
3	T2 101 OUTER TUBE	1
4*	T2 101 RINGSET SHELL	
5	T2 101 INNER TUBE EXTENSION	1
5**	T2 101 IMPREGNATED BIT	
6	T2 101 CORE SPRING	1
7	T2 101 LIFTER CASE	1

NOT SUPPLIED AS PART OF CORE BARREL

* T2 101 REAMING SHELL

** T2 101 IMPREGNATED DIAMOND BIT



HUD Mining Supplies (Pty) Ltd. 

DATE	REVISION	TITLE
20/01/23	A	T2 101 DOUBLE TUBE CORE BARREL

This drawing and the information contained thereon is the property of HUD Mining Supplies (Pty) Ltd and may not be disclosed or copied in whole or part thereof by any third party unless prior written permission is granted.