

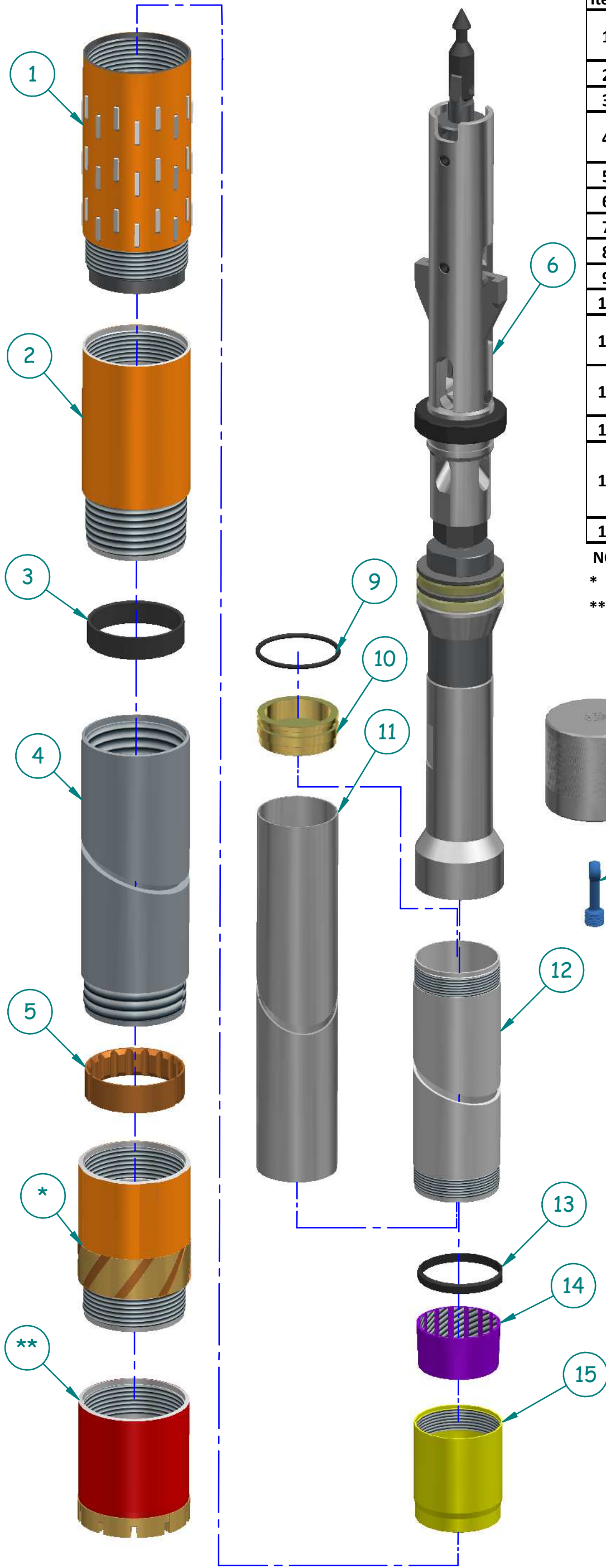
**PQ3 CORE BARREL OPTIONS**

Item	Code	Description
1	PQLCOUP4THWTBTG	PQ LOCKING COUP 4 TPI - HWT BOX TANGED
	PQLCOUP4THWBTG	PQ LOCKING COUP 4 TPI - HW BOX TANGED
2	PQACOUNG4BHWTP	PQ ADAPT COUP NEW GEN 4TPI BOX HWT PIN
3	PQITLRHWT	PQ LANDING RING HWT
4	PQ15MOTPHDB	PQ 1.5M OUTER TUBE PHD BOX
	PQ3MOT	PQ 3.0m OUTER TUBE
5	PQITSTAB	PQ INNER TUBE STABILIZER
6	PQITHEADP	PQ INNER TUBE HEAD S/LOCK
7	PQPOADAPT	PQ3 PUMP OUT ADAPTOR
8	HQ3PQPLUG	HQ3/NQ3/PQ3 PUMP OUT PLUG
9	PQ3POORING	PQ3 PUMP OUT PISTON O RING
10	PQ3POPLU	PQ3 PUMP OUT PISTON
11	PQ15MSPLIT	PQ 1.5m SPLIT TUBE
	PQ3MSPLIT	PQ 3m SPLIT TUBE
12	PQ15MIT	PQ 1.5m INNER TUBE
	PQ3MIT	PQ 3.0m INNER TUBE
13	PQ3SRINGIMP	PQ3 STOP RING
14	PQ3CSFLU	PQ3 CORE SPRING FLUTED
	PQ3CSDCH	PQ3 DIAMOND COATED CORE SPRING-HUD
	PQCSECOLCHT	PQ CORE SPRING
15	PQ3LCASEIMP	PQ3 LIFTER CASE

NOT SUPPLIED AS PART OF CORE BARREL

\* PQ FULL HOLE REAMING SHELL

\*\* PQ3 IMPREGNATED DIAMOND BIT



**HUD Mining Supplies (Pty) Ltd.** 

DATE	REVISION	TITLE
20/03/11	2	PQ3 CORE BARREL - R2

This drawing and the information contained thereon is the property of HUD Mining Supplies (Pty) Ltd and may not be disclosed or copied in whole or part thereof by any third party unless prior written permission is granted.