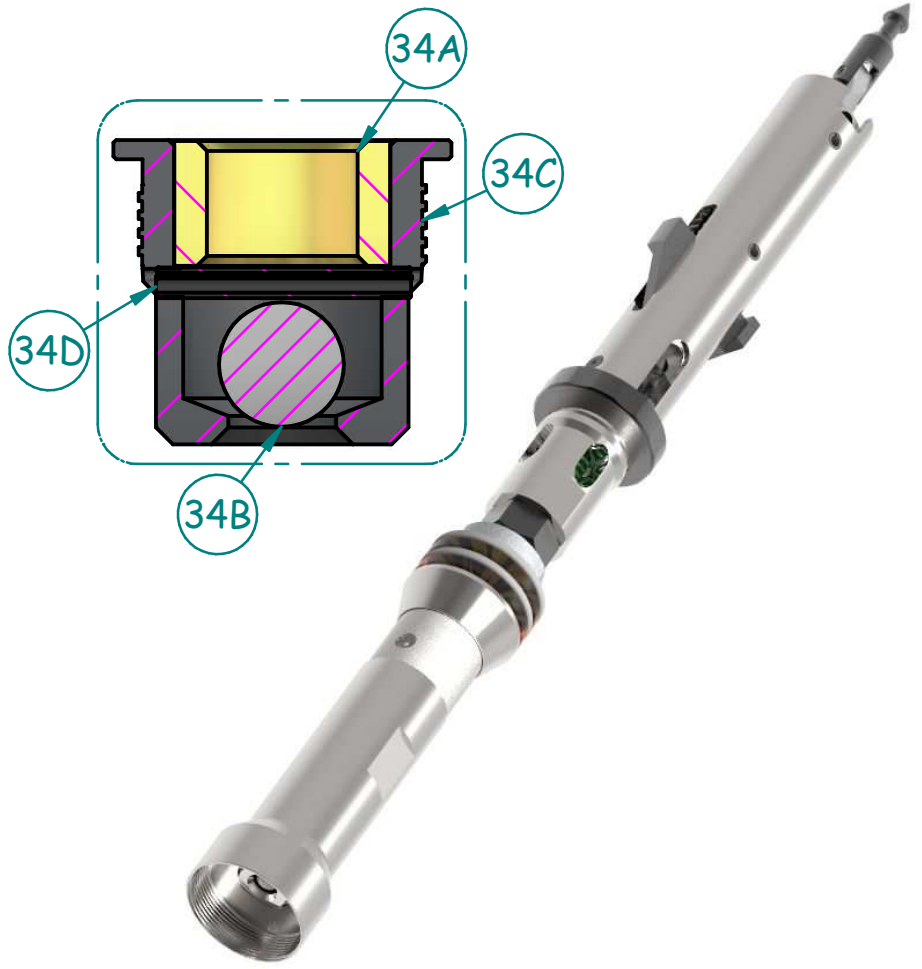



Item	Code	Description	KG	Qty
	PQITHEAD	PQ INNER TUBE HEAD		
1	BNHSRPNT	SPEARHEAD POINT	0.2	1
2	DETPLUSPR	DETENT PLUNGER SPRING	0.01	1
3	DETPLU	DETENT PLUNGER	0.02	1
4	HQSPRBASE	HQ SPEARHEAD BASE	0.80	1
5	BNHSRPIN	SPEAR HEAD POINT PIN 7/16 x 1	0.02	1
6	HQSLREC	HQ LATCH RETRACTING CASE	2.96	1
7	HQSPRPIN12234	HQ RETRACT CASE PIN 1/2 x 2 3/4	0.04	2
8	PQSLCSC	PQ S/LOCK CAP SCREW	0.01	2
9	BNHBOLT	NYLOC BOLT 3/8 - 16UNC x 3/4	0.02	1
10	HQWASH	HQ WASHER	0.17	1
11	HQSLCOMP	HQ LATCH COMPRESSION SPRING	0.04	1
12	HQSULB	HQ UPPER LATCH BODY	2.25	1
13	HQSLINK	HQ LINK	0.12	1 SET
14	PQSLLAT	PQ S/LOCK LATCH	0.74	1 SET
15	SPRPIN1/2x2	SPRING PIN 1/2 x 2	0.03	1
16	HPSLSBOLT	HQ/PQ S/LOCK SHOULDER BOLT	0.06	1
17	HPSLDVH	HQ/PQ DRY HOLE VALVE HOLDER	0.12	1
18	PQSLTSB	PQ S/LOCK THREADED STEEL BALL	0.06	1
19	BNHLIND	LANDING INDICATOR BUSHING	0.01	1
20	PQSLFRS	FLUID RETENTION SPRING	0.03	1
21	PQSLLS	PQ S/LOCK LANDING SHOULDER	0.73	1
22	HQSLLB	HQ LOWER LATCH BODY	2.30	1
23	HQLNUT	HQ LOCK NUT	0.33	1
24	PQSLSS	PQ S/LOCK SPINDLE SHAFT	2.01	1
25	PQSLAWASH	PQ S/LOCK VALVE ADJ WASHER	0.29	2
26	PQSLSOFFR	PQ S/LOCK SHUT OFF RUBBER	0.08	2
27	PQSLTWASH	PQ S/LOCK TAPER WASHER	0.68	1
28	HQTHRTRBG	HQ THRUST BEARING	0.22	3
29	HQSPINBRG	HQ SPINDLE BEARING	1.83	1
30	GRENIP	GREASE NIPPLES 1/4 UNF	0.01	1
31	PQSLCOMPSP	PQ S/LOCK COMPRESSION SPRING	0.10	1
32	PQSLCSW	PQ S/LOCK COMP SPRING WASHER	0.47	1
33	PQSLNYNUT	PQ S/LOCK NYLOCK NUT	0.07	1
34	PQSLITCAPA	PQ S/L INNER TUBE CAP ASS	EA	1
34A	PQSLBUSH	PQ S/LOCK BUSH	0.35	1
34B	SILBALL	22MM SILVER BALLS	0.04	1
34C	PQSLCUB	PQ S/LOCK CHECK VALVE BODY	0.35	1
34D	PQSLCVBSP	PQ S/LOCK CHECK VALVE SPRING PIN	0.01	1
34E	PQSLITC	PQ S/LOCK INNER TUBE CAP	2.88	1



HUD Mining Supplies (Pty) Ltd. 

DATE	REVISION	TITLE
20/03/11	2	PQ INNER TUBE HEAD - R2

This drawing and the information contained thereon is the property of HUD Mining Supplies (Pty) Ltd and may not be disclosed or copied in whole or part thereof by any third party unless prior written permission is granted.