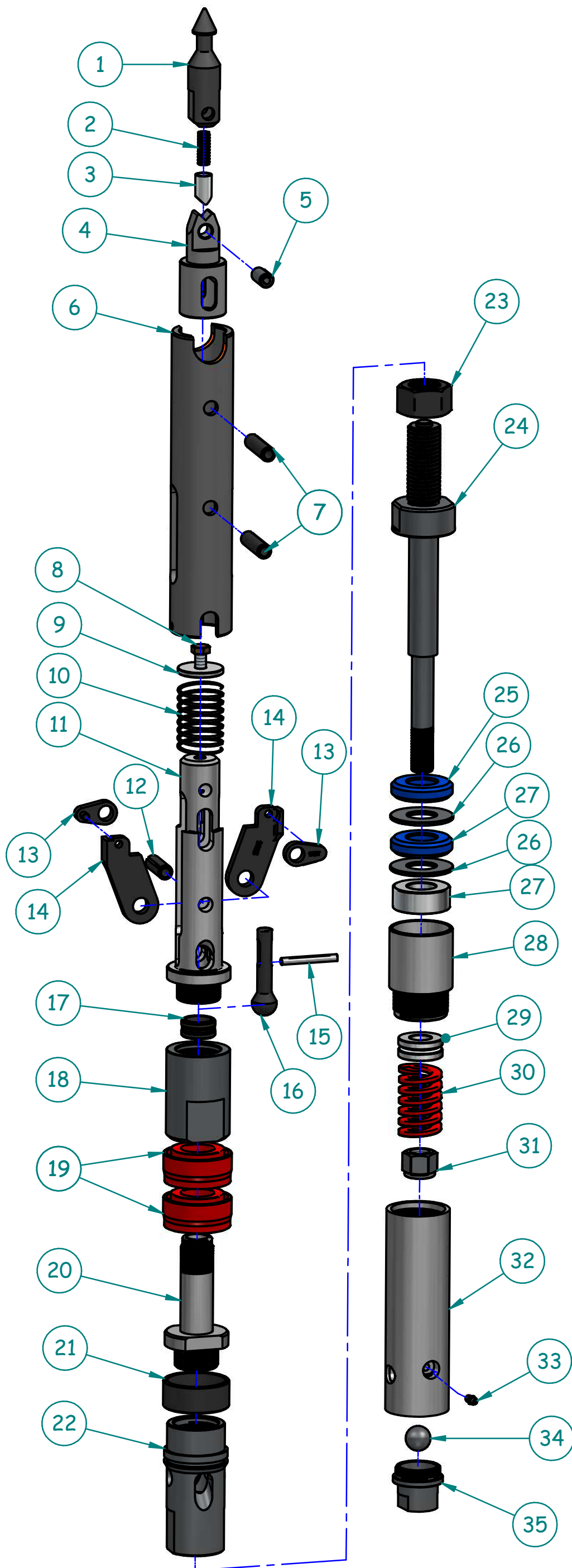


This DRAWING and the information contained thereon is the property of HUD Mining Supplies (Pty) Ltd and may not be disclosed or copied in whole or part thereof by any third party unless prior written permission is granted.

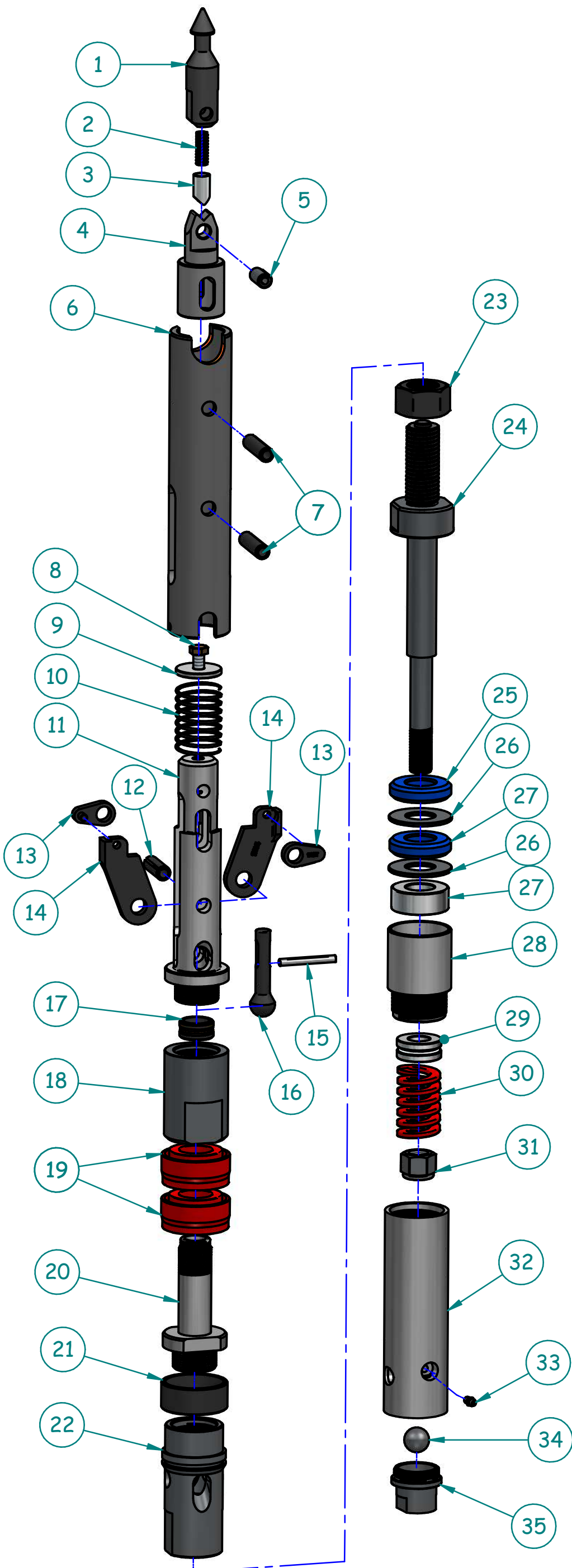
Item No	HUD Code	Description	KG	Qty
1	BNHSPRPNT	SPEARHEAD POINT	0.19	1
2	DETPLUSPR	DETENT PLUNGER SPRING	0.01	1
3	DETPLU	DETENT PLUNGER	0.01	1
4	NQSPRBASE	NQ PUMP IN SPEARHEAD BASE	0.38	1
5	BNHSPRPIN	SPEAR HEAD POINT PIN 7/16 x 1	0.02	1
6	NQPITLCAS	NQ PUMP IN LATCH RETRACTING CA	1.10	1
7	SPRPIN1/2X2	NQ SPRING PIN 1/2 X 2	0.03	2
8	BNHBOLT	NYLOC BOLT 3/8 - 16UNC x 3/4	0.02	1
9	NQWASH	NQ WASHER	0.04	1
10	NQSLCOMP	NQ LATCH COMPRESSION SPRING	0.03	1
11	NQPSULB	NQ PUMP IN UPPER LATCH BODY	1.07	1
12	SPRPIN12112	SPRING PIN 1/2 x 1 1/2	0.02	1
13	NQSLINK	NQ LINK	0.06	1 Set
14	NQLAT	NQ POSTIVE LATCHES	0.28	1 Set
15	SPRPIN1/42	SPRING PIN 1/4 X 2	0.01	1
16	BQNQVALPIS	BQ/NQ VALVE PISTON	0.08	1
17	BNHLIND	LANDING INDICATOR BUSHING	0.01	1
18	NQPADAPT	NQ PUMP IN ADAPTOR	1	1
19	NQPSEAL	NQ PUMP IN SEAL	0.05	2
20	NQPSSEAT	NQ PUMP IN SEAL SEAT	0.57	1
21	NQITLSH	NQ LANDING SHOULDER	0.11	1
22	NQSLLB	NQ LOWER LATCH BODY	1.12	1
23	NQLNUT	NQ LOCK NUT	0.18	1
24	NQSPINSFT	NQ SPINDLE SHAFT	1.44	1
25	NQSOFFP	NQ SHUT OFF RUBBER	0.04	2
26	NQVAWASH	NQ VALVE ADJUSTING WASHER	0.04	2
27	NQTHRTRBRG	NQ THRUST BEARING/HQ HANGER	0.19	1
28	NQSPINBRG	NQ SPINDLE BEARING	0.86	1
29	NQHANBRG	NQ HANGER BEARING	0.10	1
30	NQCOMPSPR	NQ COMPRESSION SPRING	0.17	1
31	NQNYLOC	NQ NYLOC NUT	0.07	1
32	NQITCAP	NQ INNER TUBE CAP	1.31	1
33	GRENIP	GREASE NIPPLES 1/4 UNF	0.01	1
34	SILBALL	22MM SILVER BALLS	0.05	2
35	HQCHKVBDY	NQ/HQ CHECK VALVE BODY	0.16	1



REV	DATE	BY	DESCRIPTION
<p>HUD Mining Supplies (Pty) Ltd. info@hud.co.za www.hud.co.za Physical: 25-31 Brewery street, Isando Post: Postnet Suite 99, Private Bag X10010, Edenvale 1610 Tel: +27 11 974 1500 Fax: +27 11 974 1506</p>			
	NAME	DATE	TITLE
DRAWN	franshuc	17/06/26	NQ PUMP IN I/T HEAD COMP
UNLESS OTHERWISE SPECIFIED DIMENSIONS ARE IN MILLIMETERS TOLLERANCES : OPEN DIMINTIONS ± 0.1mm ANGLES ± 15°		SIZE A4	DWG NO NQPITHEAD
SCALE: NTS		WEIGHT:	REV FILE NAME: NQPITHEAD.dft
			SHEET 1 OF 2

This DRAWING and the information contained thereon is the property of HUD Mining Supplies (Pty) Ltd and may not be disclosed or copied in whole or part thereof by any third party unless prior written permission is granted.

Item No	HUD Code	BOART Code	Description	KG	Qty
1	BNHSPRPNT	42913	SPEARHEAD POINT	0.19	1
2	DETPLUSPR	15141	DETENT PLUNGER SPRING	0.01	1
3	DETPLU	42914	DETENT PLUNGER	0.01	1
4	NQSPRBASE	3540329	NQ PUMP IN SPEARHEAD BASE	0.38	1
5	BNHSPRPIN	42905	SPEAR HEAD POINT PIN 7/16 x 1	0.02	1
6	NQPITLCAS	3548623	NQ PUMP IN LATCH RETRACTING CA	1.1	1
7	SPRPIN1/2X2	24305	NQ SPRING PIN 1/2 X 2	0.03	2
8	BNHBOLT	3541932	NYLOC BOLT 3/8 - 16UNC x 3/4	0.02	1
9	NQWASH	306022	NQ WASHER	0.04	1
10	NQSLCOMP	3543136	NQ LATCH COMPRESSION SPRING	0.03	1
11	NQPSULB	3548336	NQ PUMP IN UPPER LATCH BODY	1.07	1
12	SPRPIN12112	24548	SPRING PIN 1/2 x 1 1/2	0.02	1
13	NQSLINK	104817	NQ LINK	0.06	1 Set
14	NQLAT	104816	NQ POSTIVE LATCHES	0.28	1 Set
15	SPRPIN1/42	24307	SPRING PIN 1/4 X 2	0.01	1
16	BQNQVALPIS	3547672	BQ/NQ VALVE PISTON	0.08	1
17	BNHLIND	2543904	LANDING INDICATOR BUSHING	0.01	1
18	NQPADAPT	3543948	NQ PUMP IN ADAPTOR	1	1
19	NQPSEAL	64302	NQ PUMP IN SEAL	0.05	2
20	NQPSSEAT	3543949	NQ PUMP IN SEAL SEAT	0.57	1
21	NQITLSH	306009	NQ LANDING SHOULDER	0.11	1
22	NQSLLB	306008	NQ LOWER LATCH BODY	1.12	1
23	NQLNUT	24885	NQ LOCK NUT	0.18	1
24	NQSPINSFT	24886	NQ SPINDLE SHAFT	1.44	1
25	NQSOFFP	44209	NQ SHUT OFF RUBBER	0.04	2
26	NQVAWASH	24888	NQ VALVE ADJUSTING WASHER	0.04	2
27	NQTHRTRBG	24312	NQ THRUST BEARING/HQ HANGER	0.19	1
28	NQSPINBRG	24889	NQ SPINDLE BEARING	0.86	1
29	NQHANBRG	18298	NQ HANGER BEARING	0.1	1
30	NQCOMPSPR	24313	NQ COMPRESSION SPRING	0.17	1
31	NQNYLOC	5008697	NQ NYLOC NUT	0.07	1
32	NQITCAP	40677	NQ INNER TUBE CAP	1.31	1
33	GRENIP	17447	GREASE NIPPLES 1/4 UNF	0.01	1
34	SILBALL	62374	22MM SILVER BALLS	0.05	2
35	HQCHKVBDY	37382	NQ/HQ CHECK VALVE BODY	0.16	1



REV	DATE	BY	DESCRIPTION
<p>HUD Mining Supplies (Pty) Ltd. info@hud.co.za www.hud.co.za Physical: 25-31 Brewery street, Isando Post: Postnet Suite 99, Private Bag X10010, Edenvale 1610 Tel: +27 11 974 1500 Fax: +27 11 974 1506</p>			
	NAME	DATE	TITLE
DRAWN	franshuc	17/06/26	NQ PUMP IN I/T HEAD COMP
UNLESS OTHERWISE SPECIFIED DIMENSIONS ARE IN MILLIMETERS TOLLERANCES : OPEN DIMINTIONS ± 0.1mm ANGLES ± 15°		SIZE A4	DWG NO NQPITHEAD
SCALE: NTS		WEIGHT:	REV
			SHEET 2 OF 2