

HUD Mining Supplies (Pty) LTD

Physical: 58 Director Road, Spartan
Postal: Postnet Suite 99, Private Bag X10010, Edenvale 1610
Telephone: +27 11 974 1500 Fax: +27 11 974 1506
Email: info@hud.co.za



Kempe High Torque Motor Parts Manual

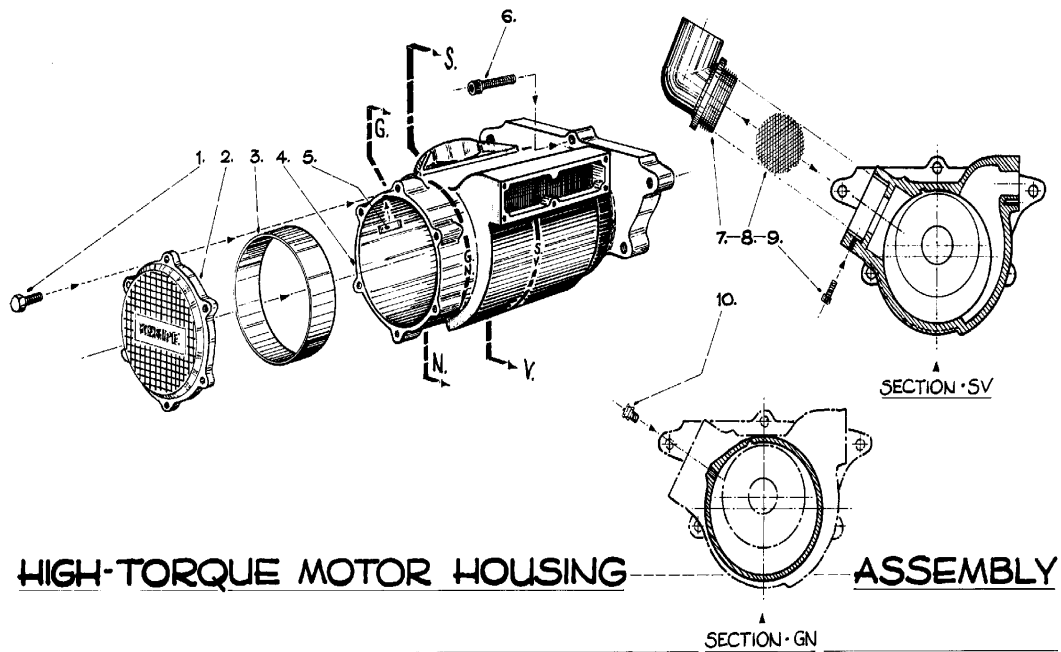


Title	Date	By	Sign	Approved	Sign
Kempe HTM-00 High Torque Motor Parts Manual	26.1.11	I Omand		D Huddy	
Revision	Date	By	Sign	Approved	Sign
HUD Design Original					

HTM-00 Kempe High Torque Motor Specifications

Air Motor	Kempe “High Torque” (HTM-00) 152 mm vane type 500 - 4000 rpm 15 – 18 kW 300 cfm air consumption (running at full capacity)
Operating pressure	400 - 800 kPa





Item	Part No	Description	Units
		HT HOUSING ASSEMBLY	-
01	U3-6-9A	COVER SET SCREWS	6
02	U3-6-112	HOUSING COVER	1
03	U3-6-113	END PLATE SPACER	1
04	U3-6-116	HIGH TORQUE MOTOR HOUSING	1
05	U3-6-46A	LINER KEY	1
06	U3-6-117	MOTOR HOUSING CAP SCREW	1
07	U3-6-10B	AIR INLET NUT	1
08	U3-6-10A	AIR INLET NUT SCREEN	1
09	U3-6-32	AIR INLET NUT LOCK SCREW	1
10	U3-6-10G	GREASE NIPPLE	2



Item	Part No	Description	Units
		HT MOTOR ASSEMBLY	-
01	U3-6-43	ROTOR BEARING SPACER	2
02	U3-6-42	REAR END PLATE	1
03	U3-6-41	END PLATE BEARING	2
04	U3-6-41A	END PLATE BEARING RETAINER	2
05	U3-6-42A	END PLATE DOWEL	2
06	U3-6-44	ROTOR	1
07	U3-6-45	ROTOR BLADE (SET=6)	1SET
08	U3-6-46	HOUSING LINER	1
09	U3-6-46A	HOUSING LINER KEY	1

