

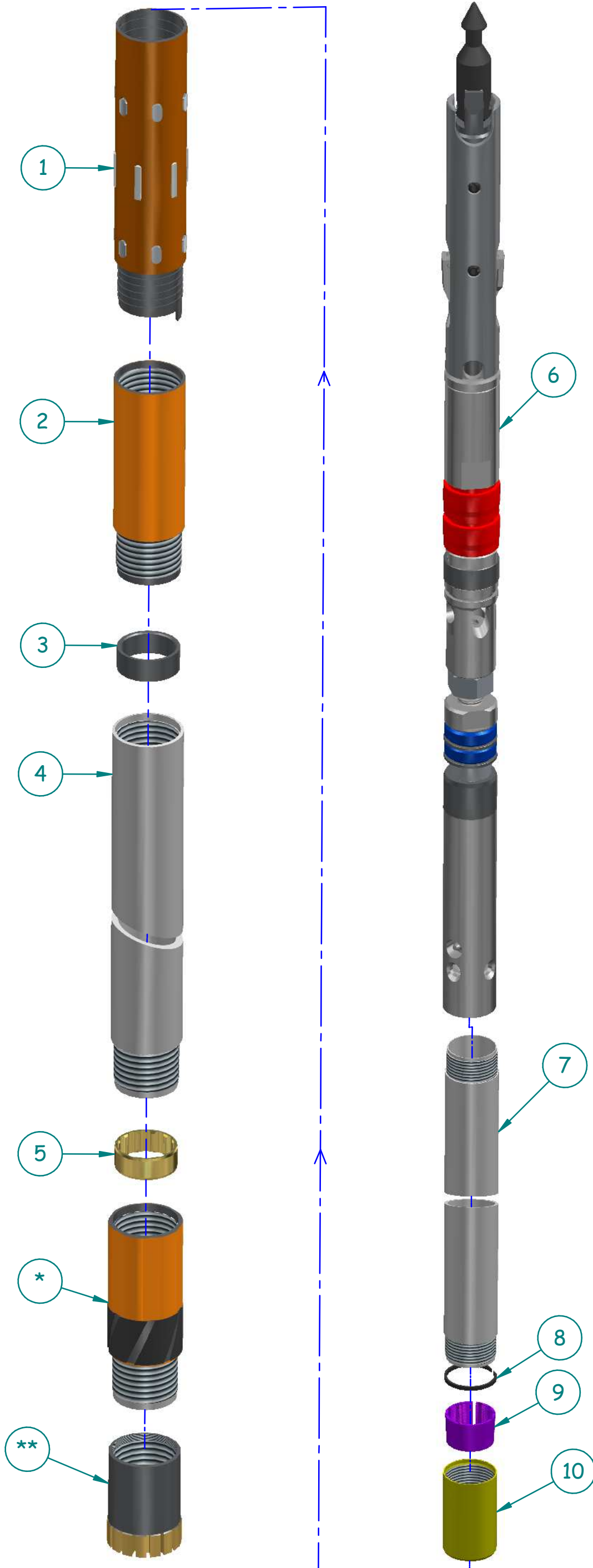
BQ PUMP IN CORE BARREL OPTIONS

Item	Code	Description
1	BQLCOUP	BQ LOCKING COUP
	BQLCOUPFH	BQ LOCKING COUPLING - FULL HOLE
	BTLCOUP	BT LOCKING COUPLING
	BRWLLCOUP	BRWL LOCKING COUPLING
	BRWLLCOUPFH	BRWL LOCKING COUPLING F/H
2	BQACOU	BQ ADAPTOR COUPLING
3	BQITLR	BQ LANDING RING
4	BQ15OT	BQ 1.5m OUTER TUBE
	BQ3MOT	BQ 3.0m OUTER TUBE
5	BQITSTAB	BQ INNER TUBE STABILIZER
6	BQLCASELC	BQ LIFTER CASE
7	BQCSECOLCHT	BQ CORE SPRING
8	BQSRINGL	BQ STOP RING
9	BQ15IN	BQ 1.5m INNER TUBE
	BQ3MIT	BQ 3.0m INNER TUBE
10	BQPITHEAD	BQ PUMP IN I/T HEAD
	BQITHEAD	BQ IN I/T HEAD

NOT SUPPLIED AS PART OF CORE BARREL

* BQ FULL HOLE REAMING SHELL

** BQ IMPREGNATED DIAMOND BIT



HUD Mining Supplies (Pty) Ltd. 

DATE	REVISION	TITLE
20/02/19	2	BQ PUMP IN CORE BARREL - R2

This drawing and the information contained thereon is the property of HUD Mining Supplies (Pty) Ltd and may not be disclosed or copied in whole or part thereof by any third party unless prior written permission is granted.